

# SWARM A20

## Auto-Darkening Welding Helmet



SWARM A20

### Welding Processes

- SMAW / MMA (stick)
- MIG / MAG (GMAW)
- Plasma Cutting (PAC)
- Air Carbon Arc and Cutting (CAC-A)

The lightweight SWARM A20 welding helmet is a heavyweight when it comes to performance and flexibility. Using an advanced auto-darkening filter (ADF), SWARM A20's externally selectable shade range from 9–13 tackles the most demanding welding applications. A handy grind setting, also found on the external knob, allows quick attention to finishing work. Further adjustments to delay and sensitivity settings can be made easily with dials inside the helmet.

With a streamlined shell design, 1/1/1/2 CE optical clarity, and replaceable, long-lasting battery – SWARM A20 is the perfect solution for welders looking to improve weld quality.

- ADF viewing area: 93 x 43 mm (3.6 x 1.7 in.)
- Shade range: DIN 9–13 (adjustable)
- Grind Mode
- CE Optical class: 1/1/1/2
- Arc sensors: 2
- Fully-adjustable delay and sensitivity settings
- Replaceable 1 x CR2032 battery
- Low battery indicator LED
- ADF test button

Visit [esab.com](http://esab.com) for more information.



SWARM A20 front view

# SWARM A20

## Specifications

Viewing Area	93 x 43 mm (3.6 x 1.7 in.)
Active Lens Shade (Adjustable) *	9–13
Passive Lens Shade	4
Power Supply	1 x CR2032 battery, replaceable
Arc Sensors	2
Switch Time (Light to Dark)	0.1 ms
CE Optical Classification	1/1/1/2
Standards and Certifications	CE: EN175; EN379; EN166   ANSI: Z87.1   CSA: Z94.3   Brazil CA
Weight	520g (1.1 lb)

\* Grind setting also available.

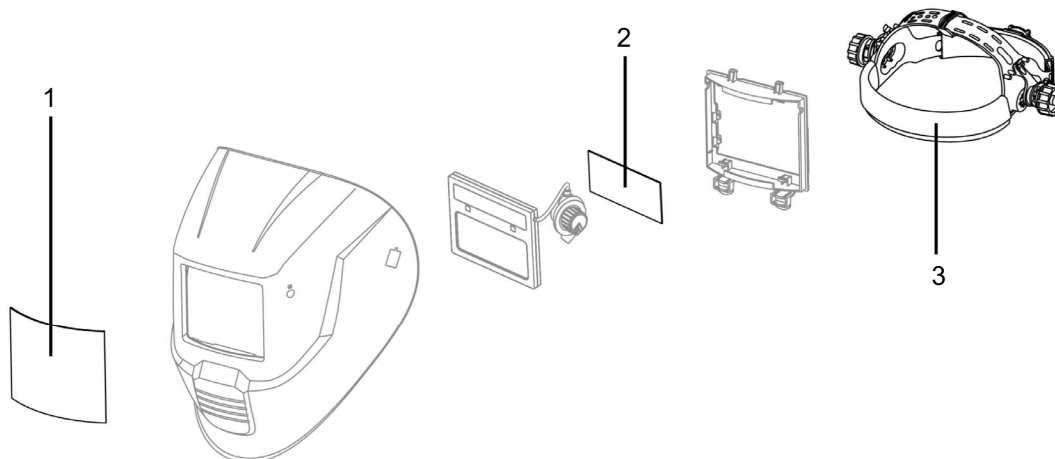
## Ordering Information

Description	Part Number
SWARM A20 Welding Helmet	0700102010

Delivery includes: Full helmet assembly.

## Spare Parts

1	SWARM A10 / A20 / A30 Front Cover Lens 5 PCS	0700102004
2	SWARM A10 / A20 Inner Cover Lens 5 PCS	0700102008
3	SWARM A10 / A20 Headgear	0700102005



ESAB / [esab.com](http://esab.com)

